



Rua Ricardo Landmann,642 89.218-200 Santo Antonio Joinville Brasil

**SPARE PARTS CATALOGUE
ERSATZTEILKATALOG
CATALOGUE PIECES DETACHEES
CATALOGO PARTI RICAMBIO
CATALOGO DE PIEZAS DE RECAMBIO
CATALOGO PECAS, DE REPOSICAO**

Catalogo parti di ricambio valido
dalla matricola 0000001 (01.10.2013) alla matricola 1316134911 (30.12.1899)

Catalogue pieces detachees
numero de Série n. 0000001 (01.10.2013) jusqu'à n. 1316134911 (30.12.1899)

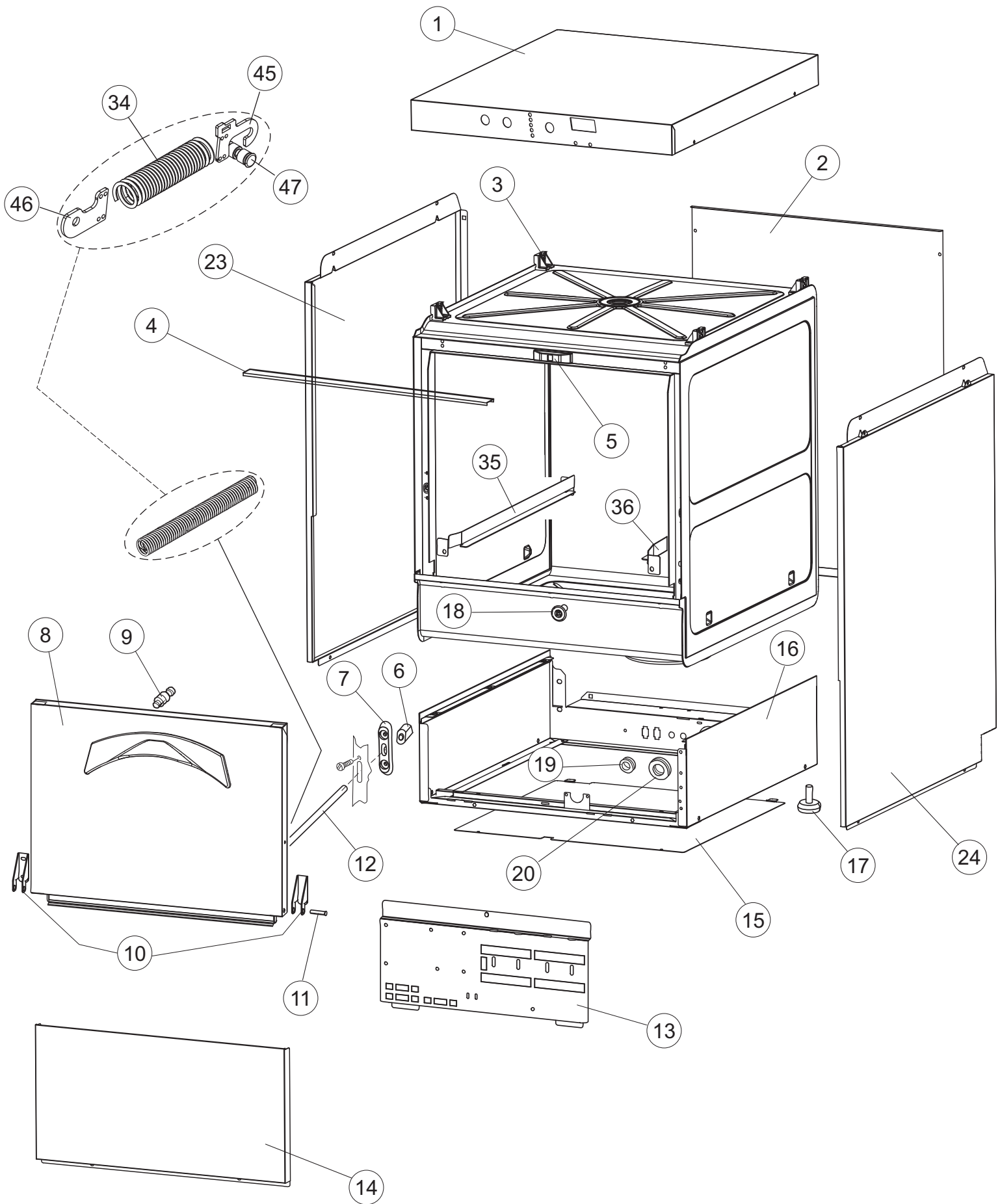
Ersatzteilkatalog
ab Serien-Nr. 0000001 (01.10.2013) bis Serien-Nr. 1316134911 (30.12.1899)

Spare parts catalogue
d from serial no. 0000001 (01.10.2013) to serial no. 1316134911 (30.12.1899)

Catálogo de peças de reposição
: série 0000001 (01.10.2013) até o número de série 1316134911 (30.12.1899)

D60 T DP

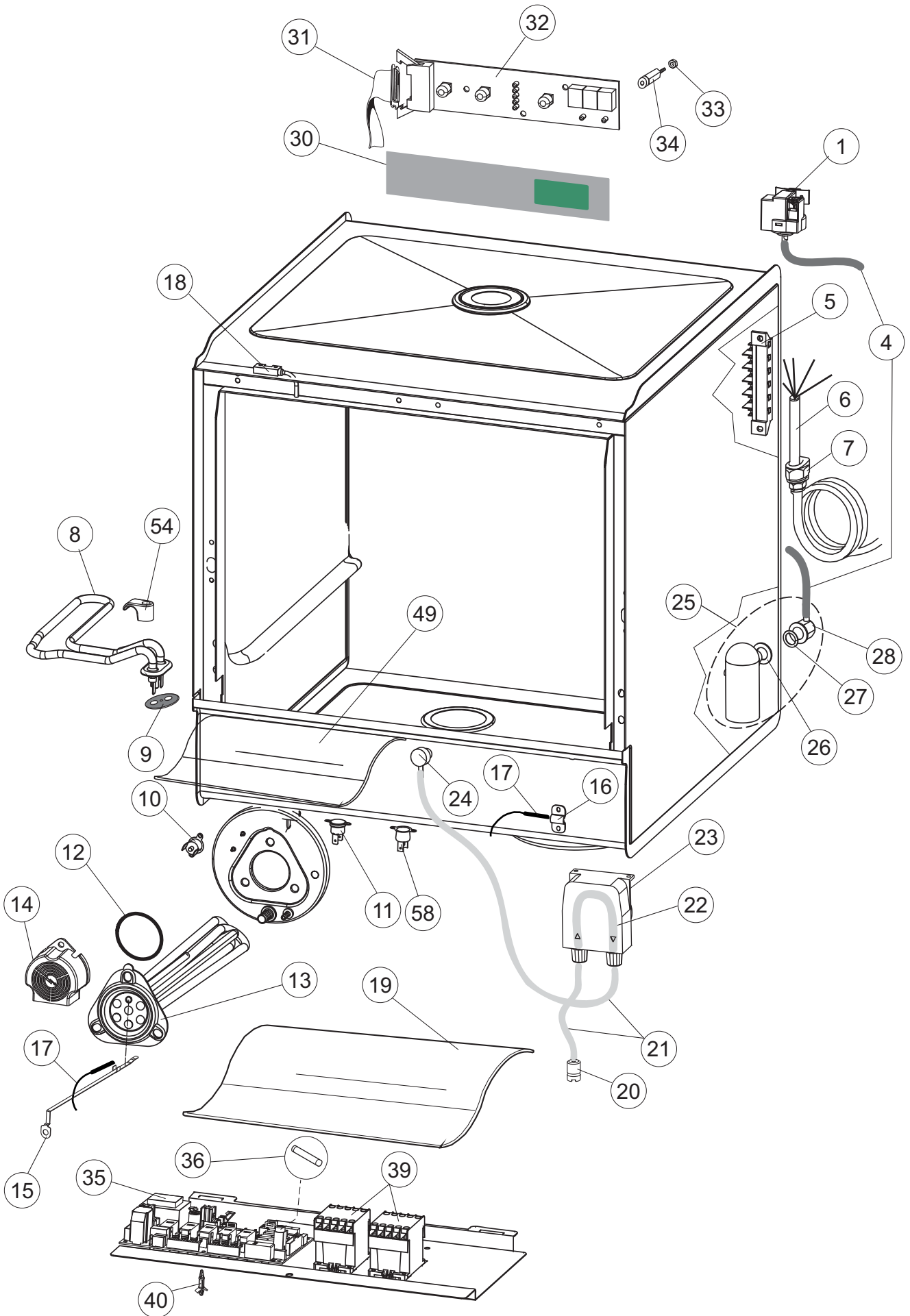
1



Listino componenti per pagina 1

1	004369	CAPPELLO T DRITTO LA600 DP CAPOT SUPERIOR GEHAEUSEOBERTEIL COVER CAPERUZA	
2	022171	PANNELLO POSTERIORE LA600 PANNEAU ARRIERE RUECKWAND BACK PANEL PANEL TRASERO	
3	035113	STAFFA ASSEMBLAGGIO PANNELLI console de support BÜGEL support bracket ménsula de soporte	
4	437081	GUARNIZIONE SPORTELLO 50/505 JOINT PORTE 50/505 DICHTUNG, TÜR - 50/503 DOOR GASKET 50/505 JUNTA PUERTA - 50/503	
5	994012	SERRATURA PER SPORTELLO PER LAVASTOVI- FERMETURE PORTE POUR LAVE-VAISSELLES SCHLOSS EB/F 22/44 DOOR LOCK FOR DISHWASHERS GRUPO CERRADURA EB/F 22/44	
6	417041	DADO BATTUTA SPORTELLO ECROU DE FEUILLURE PORTE POUR LAVE- SCHRAUBENMUTTER, TÜRANSCHLAG DOOR CLOSING CONTACT BETA 50 (S6198) TUERCA TOPE PUERTA	
7	307003	BATTUTA DADO ASTA SPORTELLO ECROU TIGE ARRETR PORTE ANSCHLAG, SCHRAUBENMUTTER FÜR STAB NUT OF TOP DOOR-STOP BAR TOPE TUERCA VARA	
8	029857	PORTA LA600 CPL. PORTE TUER DOOR PUERTA	
9	325066	PIOLO SERRATURA SPORTELLO EHELON FERMETURE PORTERRES PFLOCK, SCHLOSS BETA 246/250 DOOR CLOSURE STAKE FOR GLASSWASHERS BARROTE CERRADURA BETA 246/250	
10	311032	CERNIERA PORTA LA600 CONSOLE DE SUPPORT PORTE HALTER, TÜRSTANGENANSCHLAG PG FERT. DOOR BRACKET BRIDA DE APOYO PUERTA	
11	325036	PERNO PER CERNIERA SPORTELLO PER PIVOT ZAPFEN, TÜRSCHARNIER 50 PIVOT PERNO	
12	304021	ASTA TIRANTE SPORTELLO PER LAVASTOVIGLIE AXES TIRANT POUR PORTE POUR LAVE- VAISSELLE STANGE, TÜRSCHIENE 50/500/453/463/503 DOOR TIE ROD FOR DISHWASHER (S6323) VARA GUIA PUERTA 50/500/453/463/503	
13	035112	PANNELLO COMPONENTI ELETTRICI PANNEAU COMPOSANTS ELECTRIQUES BEF.WINKEL WIRING PANEL PANEL COMPONENTES ELECTRICOS	
14	012355	PANNELLO ANTERIORE PANNEAU AVANT VORDERPANEEL FRONT PANEL PANEL FRONTAL	
15	030208	PROTEZIONE ZOCCOLO LA600 PROTECTION SABOT LA600 BODENBLECH LA600 BASE PROTECTION LA600 PROTECCION BASE LA600	

16	040147	BASE TELAIO LA600 BASE CHASSIS LA600 GRUNDRAHMEN LA600 BASE FRAME LA600 BASE DEL BASTIDOR LA600	
17	461019	PIEDINO ESAGONALE REGOLABILE PER LAVAVERRIN HEXAGONAL REGLABLE POUR LAVESTELLFUSS D30 M8 HEXAGONAL FOOT ADJUSTABLE FOR DISHWASHER PATA REGULABLE D30 M8	
18	480153 <i>Recommended spare parts</i>	TAPPO BOUCHON VERSCHLUSS AUS GUMMI D.12 PLUG TAPON	
19	459006	PASSACAVO D INT 9 D EST 16 CHAUMARD D INT 9 EST 16 KABELDURCHGANG, Di9/De16 22 CHOCK D INT 9 EST 16 PASA-CABLE Di9/De16 22	
20	459004	PASSACAVO PER POMPA DI SCARICO CHAUMARD POUR POMPE DE VIDANGE ROHRDURCHGANG, GUMMI DI.34 DRAIN PUMP CHOCK PASA-TUBO GOMA DE. 34	
23	021155	FIANCO SX.LA600 DOPPIA PARETE PANNEAU LATERAL GAUCHE SEITENWAND LINKS LEFT SIDE PANEL PANEL LATERAL IZQUIERDO	
24	021154	FIANCO DX.LA600 DOPPIA PARETE PANNEAU LATERAL DROITE SEITENWAND RECHTS.LA600 RIGHT SIDE PANEL PANEL LATERAL DERECHO	
34	449067	MOLLA BILANCIAMENTO PORTA LA600 L=66MM RESSORT LA600 L=66MM FEDER LA600 L=66MM SPRING LA600 L=66MM MUELLE LA600 L=66MM	
35	015078	GUIDA CESTO SX. GUIDE PANIER SX. KORBBAHN SX. RACK SLIDE SX. GUIA CESTA (SX.)	
36	015077	GUIDA CESTO DX. GUIDE PANIER DX. KORBBAHN DX. RACK SLIDE DX. GUIA CESTA (DX.)	
45	028117	PIASTRINA GANCIO MOLLA LA600 PLAQUETTE FISSAGE PLATTE FIXING PLATE PLANCHITA	
46	028118	PIASTRINA FISSAGGIO MOLLA LA600 PLAQUETTE FISSAGE PLATTE FIXING PLATE PLANCHITA	
47	325124	PERNO GANCIO MOLLA LA600 PIVOT FEDERSTIFT PIVOT PERNO	

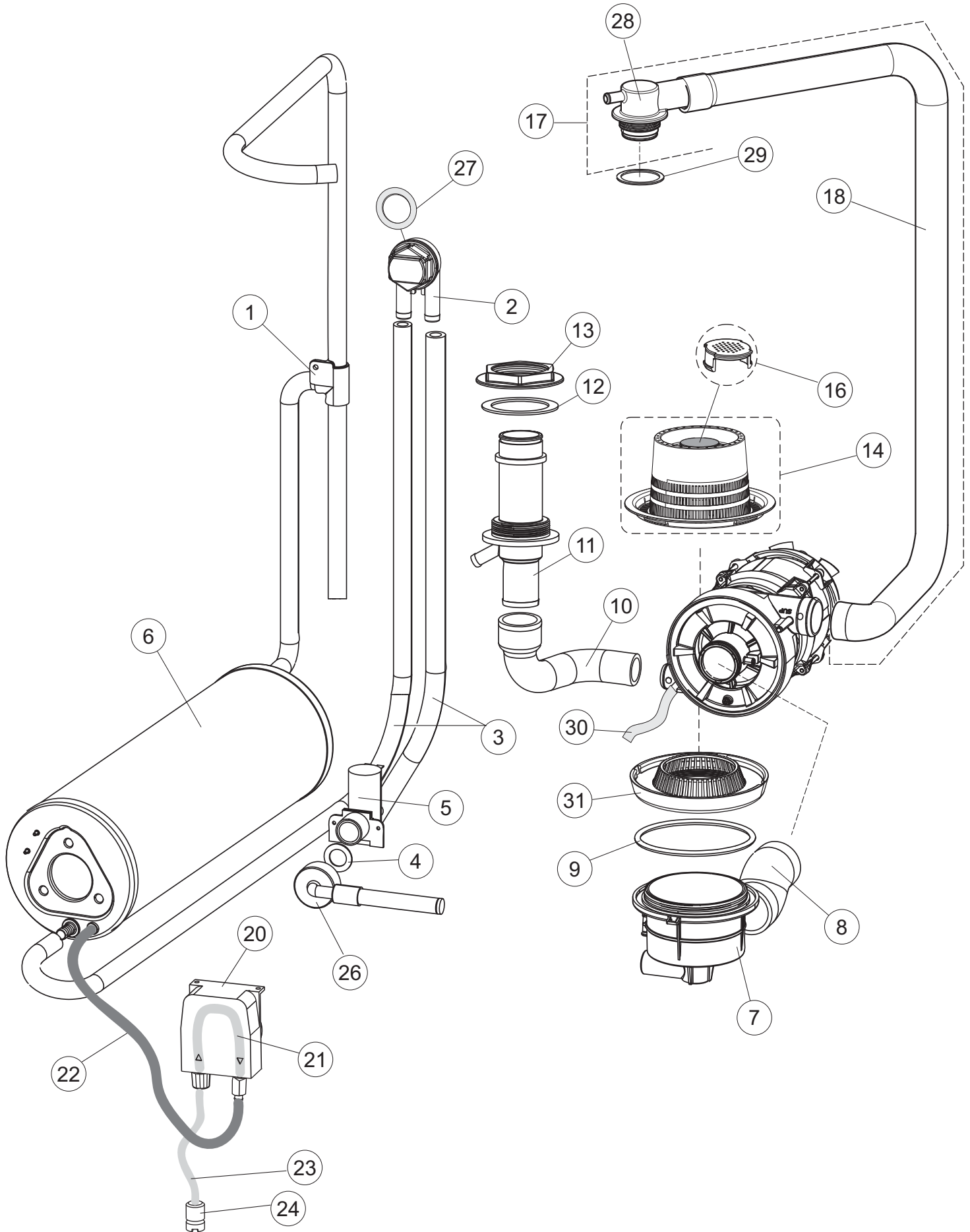


Listino componenti per pagina 2

1	224031 <i>Recommended spare parts</i>	PRESSOSTATO DIGITALE 560-AC-002 PRESSOSTAT DRUCKWAECHTER PRESSURE SWITCH PRESOSTATO	
4	143235 <i>Recommended spare parts</i>	TUBO 4x7 SILICONE TRASPARENTE CRP TUYAU SCHLAUCH 4X7 SILIKON DURCHS. CRP PIPE MANGUITO	
5	220011	MORSETTIERA bornier pour le raccordement * KLEMMENBRETT, 5-POLIG + ERDUNG FV.122 TERMINAL BLOCK bloque de terminales	
6	H.374339-2	CAVO MACCHINA H07RN-F 5X2.5X2.5MT CABLE MACHINE H07RN-F 5X2.5X2.5MT MASCHINENKABEL H07RN-F 5X2.5X3.0MT CABLE H07RN-F 5X2.5X2.5MT * CABLE MAQUINA H07RN-F 5X2.5X2.5MT	
7	459005	SERRACAVO FIXE-CABLE KABELKLIPPS, STEAB Art.5024 CABLE-RETAINER SUJETA-CABLE	
8	74169 <i>Recommended spare parts</i>	RESISTENZA 2100W 230V RESISTANCE 2100W 230V HEIZELEMENT 2100W 230V HEATING ELEMENT 2100W 230V RESISTENCIA 2100W 230V	
9	437086	GUARNIZIONE RESISTENZA VASCA JOINT RESISTANCE CUVE DICHTUNG, TANKWIDERSTAND PACKING OF THE TANK RESISTANCE JUNTA RESISTENCIA CUBETA	
10	236047 <i>Recommended spare parts</i>	TERMOSTATO 95°C THERMOSTAT CUVE SECURITE 95°C SICHERHEITSTHERMOSTAT SAFETY TANK THERMOSTAT 95°C TERM.CONTACTO CUBETA/S.95°+/-3° SIC.	
11	236061 <i>Recommended spare parts</i>	TERMOSTATO SIC. 127° THERMOSTAT 127° THERMOSTAT 127° THERMOSTAT 127° TERMOSTATO CALENT. 127°	
12	456002	guarnizione o-ring joint torique o-ring O-Ring 48x6,2 O-ring junta tórica o-ring	
13	230111 <i>Recommended spare parts</i>	RESIST.B.4900W/230-400V RESISTANCE HEIZUNG,B.4900W/230-400V HEATING ELEMENT RESISTENCIA	
14	69870	PROTEZIONE RESISTENZA BOILER PROTECTION RESISTANCE BOILER HEIZUNGSSCHUETZ DES WARMWASSERBEREITERS BOILER HEATING ELEMENT PROTECTION PROTECCION RESISTENCIA CALENTADOR	
15	69871	PORTASONDA SUPPORT DE SOND SONDENHALTER PROBE HOLDER SOPORTE DE SONDA	
16	028105	PIASTRINA FERMA SONDA PLAQUETTE FISSAGE PLATTE FIXIERUNG FIXING PLATE PLANCHITA PARADA SONDA	
17	231016 <i>Recommended spare parts</i>	SONDA TEMPERATURA SONDE TEMPERATURSONDE TEMPERATURE PROBE SONDA TEMPERATURA (AMPOLLA ACERO)	

18	80871 <i><u>Recommended spare parts</u></i>	MICRO MAGNETICO CONTACTE MAGNETIQUE TUERKONTAKTSCHALTER MAGNETIC DOOR SWITCH CONTACTO MAGNETICO	
19	214114	PROTEZIONE TRASPARENTE PER IMPIANTO ELETTRICO PER I PROTECTION TRANSPARENTE POUR INSTALLA- TION ELECTR DURCHSICHTIGER SCHUETZ FUER ELEKTRISCHE ANLAGE DE TRANSPARENT PROTECTION FOR ELECTRIC INSTALLATION F PROTECC. EL.TRANSF.	
20	121993	GRUPPO FILTRO+ZAVORRA DOSATORE filtre distributeur FILTERANORDNUNG filter aid dispenser filtro dispensador	
21	143194 <i><u>Recommended spare parts</u></i>	TUBO 4x6 CRISTAL TRASPARENTE TUYAU SCHLAUCH 4X6 CRISTAL, DURCHS. PIPE MANGUITO	
22	143258 <i><u>Recommended spare parts</u></i>	TUBO "SANTOPRENE" CON RACCORDO TUYAU "SANTOPRENE" MEMBRANSCHLAUCH SANTOPREN "SANTOPRENE" PIPE TUBITO SANTOPRENE	
23	209043 <i><u>Recommended spare parts</u></i>	DOSAT.PERIST.DETERGENTE P/F MD DOSEUR PÉRISTALTIQUE PERISTALTISCHES DOSIERGERAET DETERGENT DOSING PUMP DOSIFICADOR DETERG.	
24	999348	GRUPPO RACCORDO INIEZIONE DETERGENTE JUNCTION CUVE POUR INJECTION DE DÉTERGEN WASCHMITTEL INJECTION SPÜLANSCHLUSS DETERGENT TANK FITTING UNIÓN CUBA PARA INYECCIÓN DE DETERGENTE	
25	984007 <i><u>Recommended spare parts</u></i>	GRUPPO CAMPANA PRESSOSTATO Groupe de contrôle du niveau d'eau LUFTFALLE - KOMPLETT WATER LEVEL CONTROL grupo de control el nivel de agua	
26	437019	GUARNIZIONE TRAPPOLA ARIA PRESSOSTATO JOINT PRISE D'AIRE PRESSOSTAT DICHTUNG, GLOCKE DRUCKSCH. V.M. PACKING FOR AIR TRAP OF PRESSURE SWITCH JUNTA CAMP. PRES. TORNILLO M.	
27	456020	guarnizione o-ring joint torique o-ring O-Ring 3050 R495 O-ring junta tórica o-ring	
28	468029	RACCORDO TRAPPOLA ARIA PRESSOSTATO RACCORD PRISE D'AIR PRESSOSTAT VERBINDUNGSSTK. TANKEINLAUF AIR TRAP CONNECTION OF PRESSURE SWITCH EMPALME CAMPANA PRESOSTATO	
30	056686	INTERFACCIA ADESIVA DI CONTROLLO D60T DP BRASCOOK INTERFACE ADHÉSIVE CONTRÔLE D60T DP BRASCOOK FRONTBLLENDE D60T DP BRASCOOK CONTROL ADHESIVE INTERFACE D60T DP BRASCOOK INTERFAZ ADHESIVA DE CONTROL D60T DP BRASCOOK	
31	211013 <i><u>Recommended spare parts</u></i>	CAVO FLAT GET50 LA50(2,30MT) CABLE FLACHKABEL FLAT WIRE CABLE FLAT GET50 LA50	
32	80945 <i><u>Recommended spare parts</u></i>	PULSANTIERA LED BDG TERZ. TABLEAU DE PUSOIR TASTASTUR PUSH BUTTONS ASSEMBLY botonera	
33	417119 <i><u>Recommended spare parts</u></i>	DADO ECROU SCHRAUBENMUTTER, M3 KUNST. WEISS NUT TUERCA	

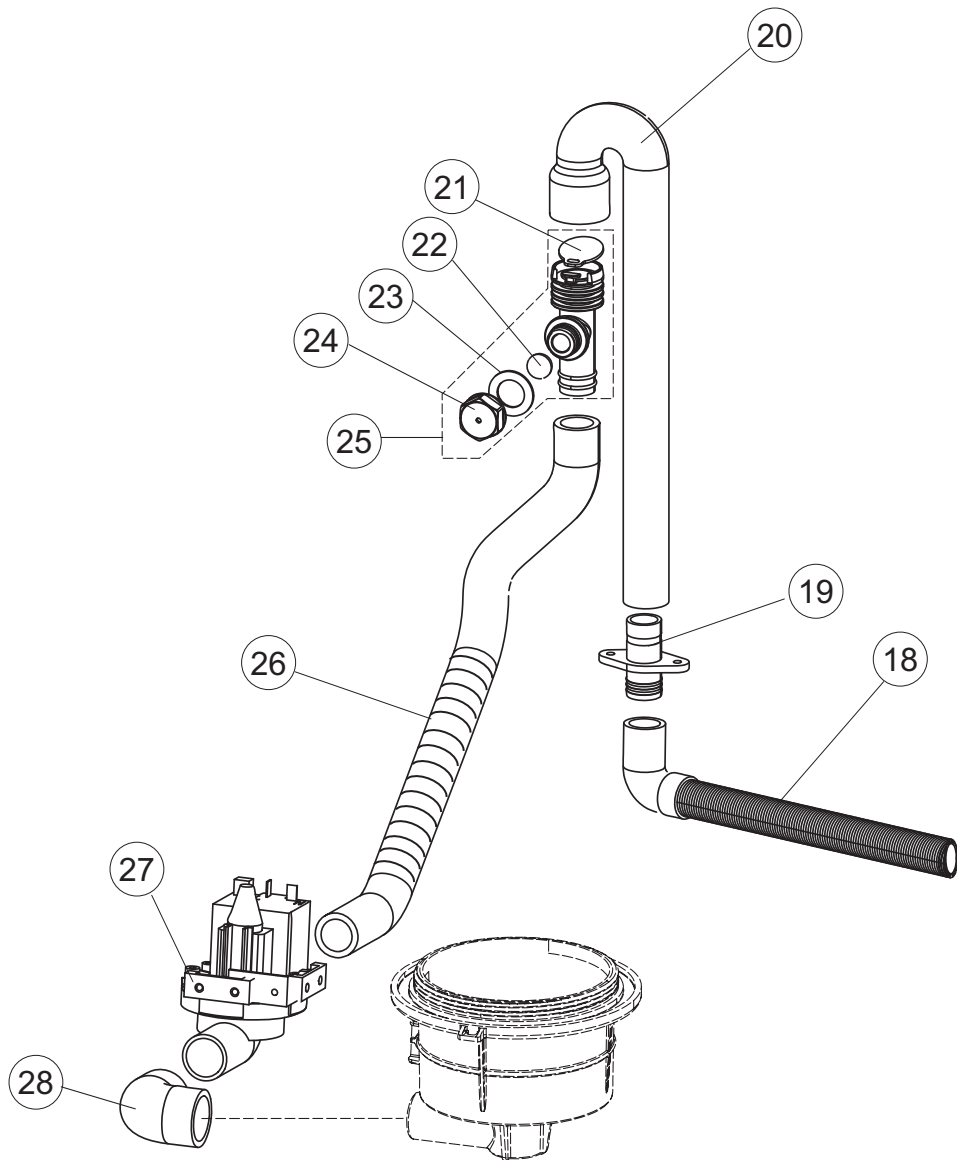
34	419036 <u>Recommended spare parts</u>	DISTANZIALI SCHEDA ENTRETOISE X CARTE ELECTRONIQUE ABSTANDSSTÜCK, M3 INTERFACE BOARD DISTANCE KEEPERS DISTANCIADOR M3	
35	215042-1 <u>Recommended spare parts</u>	SCHEDA ELETTRONICA GET50.2 CARTE ELECTRONIQUE GET50.2 KARTE ELEKTRONIK GET50.2 MAIN BOARD GET50.2 TARJETA ELECTRONICA GET50.2	
36	228010 <u>Recommended spare parts</u>	FUSIBILE 5X20 T4A RITARDATO 250V FUSIBLE SICHERUNG 5X20 T4A FUSE FISIBLE	
39	229042 <u>Recommended spare parts</u>	CONTATTORE QUADRIPOLORE 230V GMC-9M/4 50/60HZ CONTACTEUR 230V GMC-9M/4 50/60HZ KONTAKT-GEBER 230V GMC-9M/4 50/60HZ CONTACTOR 230V GMC-9M/4 50/60HZ CONTACTOR 230V GMC-9M/4 50/60HZ	
40	461028 <u>Recommended spare parts</u>	PIEDINO PLAST.SCHEDA 5309AA00XS ped support de carte électronique Stützfessß elektronische Karte foot board support sujeción pie tarjeta electrónica	
49	214108	TENDINA PVC PROTEZIONE CABLAGGIO RIDEAU PVC PROTECTION ÉLECTRIQUE DURCHSICHTIGER SCHUETZ FUER ELEKTRISCHE ANLAGE DE PVC CURTAIN FOR ELECTRIC PROTECTION PVC CORTINAS ELÉCTRICAS PROTECCIÓN	
54	999351	GRUPPO FERMO RESISTENZA VASCA GROUPE CAPTURE RÉSISTANCE GRUPPE FANGEN BEHÄLTER WIDERSTAND GROUP STOPPED TANK HEATER GRUPO DE TANQUE CAPTURA DE RESISTENCIA	
58	236052 <u>Recommended spare parts</u>	TERMOSTATO 90°+/-3°C THERMOSTAT 90°+/-3°C THERM.,KONT. L.90°+/-3°(2611576) THERMOSTAT 90°+/-3°C TERM.CONTACTO CALENT./L.90°+/-3°	



Listino componenti per pagina 3

1	143275	TUBO TRE VIE TUYAU LEITUNG VENTILEINHEIT > WASSERENTKAECKER PIPE MANGUITO	
2	144030 <i><u>Recommended spare parts</u></i>	GRUPPO VALVOLA NON RITORNO CLAPET ANTI-RETOUR AIR GAP BEHAELTER - NICHT KOMPLETT NO RETURN VALVE VÁLVULA DE RETENCIÓN	
3	143004	TUBO TUYAU ROHR, DRUCKSCHALTER TP 10X17 (CASER/15NL C4N) PIPE TUBO PRES. TP 10X17 (CASER/15NL C4N)	
4	437041	GUARNIZIONE 3/4 JOINT DICHTUNG 3/4 GASVERSORG. GASKET JUNTA	
5	240011 <i><u>Recommended spare parts</u></i>	VALVOLA DI CARICO 1VIA vanne de remplissage ZUFLUSSVENTIL 1-WEG FILL VALVE válvula de llenado	
6	104060	BOILER CHAUDIÈRE BOILER BOILER CALDERIN	
7	136030 <i><u>Recommended spare parts</u></i>	CORPO ASPIRAZIONE SCARICO CORPS D'ASPIRATION/VIDANGE EINLASSUNG/ABLASSUNG GEHÄUSE ASPIRATION AND DRAIN BODY CUERPO ASPIRACION/DESCARGA	
8	127082	MANICOTTO MANDATA LAVAGGIO tuyau de refoulement à laver NACHSPUEL-FOERDERUNGSBOGEN DELIVERY WASH HOSE MANGUITO LAVADO	
9	456076	O-RING O-RING TORISCHE DICHTUNG D.I.135.9X5.33 O-RING O-RING	
10	127085	MANICOTTO MANDATA LAVAGGIO tuyau de refoulement à laver SAUGMUFFE PUMPE LA50 DELIVERY WASH HOSE MANGUITO LAVADO	
11	69016	COLLETTORE LAVAGGIO COLLECTEUR SAMMELLEITUNG MAINFOLD COLECTOR	
12	437102	GUARNIZIONE CONDOTTO INFER.LA50 JOINT DICHTUNG GASKET JUNTA	
13	429073	GHIERA DOUILLE MUTTER RING NUT CONTERA VIROLA	
14	121135	GRUPPO FILTRO GROUPE FILTRE D'ASPIRATION FILTERGRUPPE RIVER-TOPTECH CRP-SP SUCTION FILTER UNIT GRUPO FILTRO ASPIRACION	
16	480162	TAPPO FILTRO VASCA CRP-SP(LAVAP.) BOUCHON DECKEL PLUG TAPON	

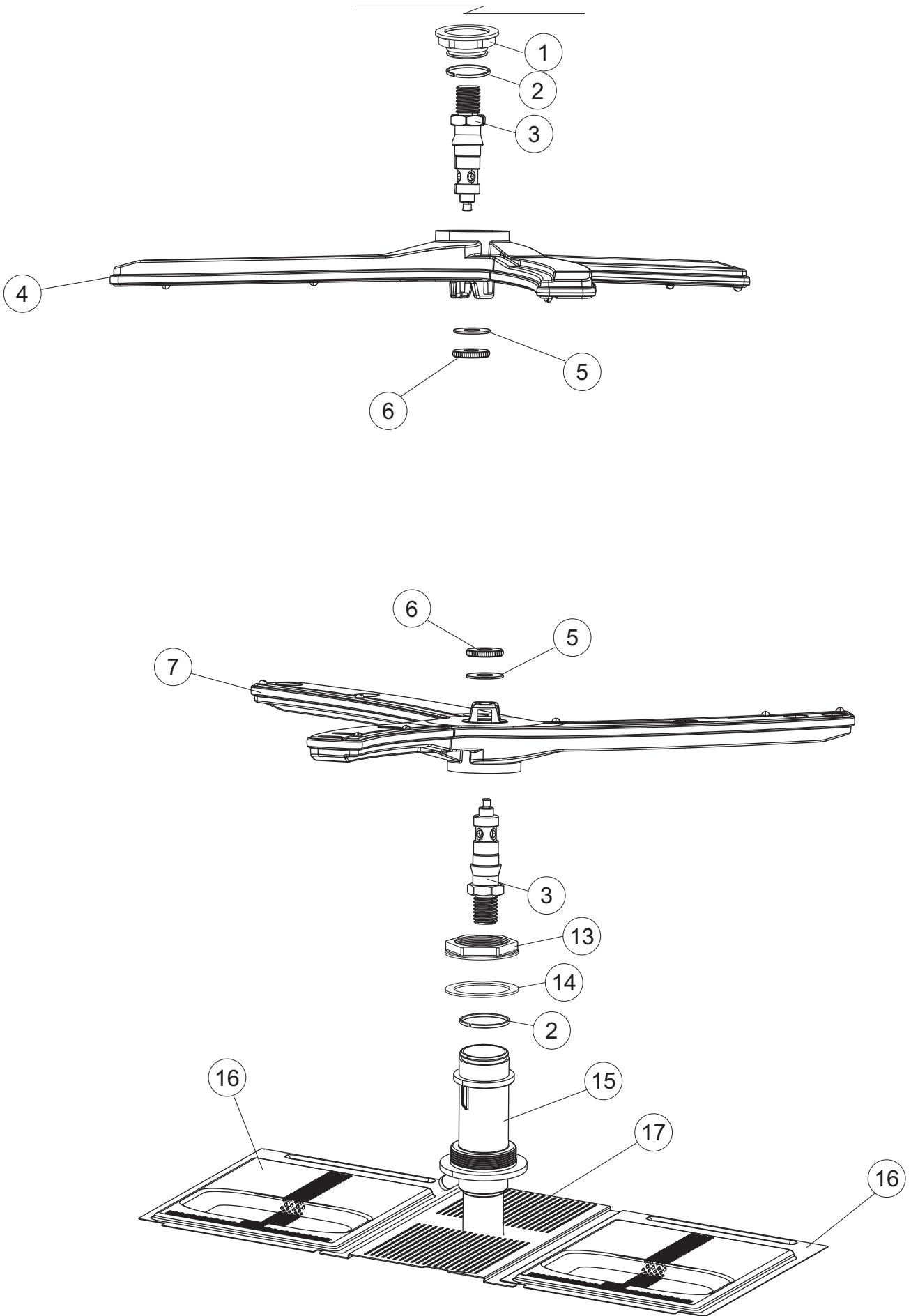
17	115154	CONDOTTA LAVAGGIO LA600 CPL. COLLECTEUR WASCHLEITUNG AUSSEN PL. MAINFOLD COLECTOR	
18	127192	MANICOTTO VALVOLA NR-VALVOLA SCAMB.LA40 TUYAU DE REFOULEMENT DRUCKSCHLAUCH DELIVERY HOSE MANGUITO	
20	209042 <i><u>Recommended spare parts</u></i>	DOSAT.PERIST.BRILLANTANTE+NR P/F MD DOSEUR PÉRISTALTIQUE PERISTALTISCHES DOSIERGERAET DOSING PUMP DOSIFICADOR	
21	143261 <i><u>Recommended spare parts</u></i>	TUBO SILICONE TUBE MEMBRANSCHLAUCH HOSE TUBITO	
22	143005 <i><u>Recommended spare parts</u></i>	TUBO IN GOMMA TELATA 5X12 NERO TUYAU EN CAOUTCHOUC LIN 5X12 NOIR SCHLAUCH TP 5X11 (CASER/15/NL C4N) LINEN RUBBER PIPE 5X12 - BLACK TUBO PRES. TP 5x11 (CASER/15/NL C4N)	
23	H.775601 <i><u>Recommended spare parts</u></i>	TUBO 4x6 CRISTAL BLUE PVC TUYAU SCHLAUCH 4x6 CRISTAL BLAU PVC PIPE MANGUITO	
24	121993	GRUPPO FILTRO+ZAVORRA DOSATORE filtre distributeur FILTERANORDNUNG filter aid dispenser filtro dispensador	
26	143270	TUBO CARICO 3/4G D.I.10 2MT TUYAU SCHLAUCH INLET WRAS PIPE TUBO WRAS	
27	437080 <i><u>Recommended spare parts</u></i>	GUARNIZIONE JOINT DICHTUNG, VERBINDUNGSST., OB.SPÜL.E.40 GASKET JUNTA	
28	115164	PIANTONE CENTRALE SUP.LA500 + ANELLO soutien bras lavage/rinçage Tragarme waschen / spülen support arms wash / rinse apoyo brazo de lavado / enjuague	
29	437113	GUARNIZIONE CORPO INFER.LA40-50 JOINT DICHTUNG DES KOERPERS -UNTEN- FUER GLAES ERSPUELEI GASKET JUNTA	
30	H.165168	TUBO TRASPARENTE TUYAU PVC SCHLAUCH PIPE MANGUITO	
31	429072 <i><u>Recommended spare parts</u></i>	GHIERA DOUILLE ZWINGE RING NUT CONTERA VIROLA	



Listino componenti per pagina 4

18	143137	TUBO SCARICO D18 TERM.LE CURVO TUYAU DE VIDANGE ABLASSROHR D18 GEBOG. ENDE DRAIN HOSE TUBO DESCARGA	
19	468152	RACCORDO DI SCARICO RACCORD POUR VIDANGE SERIE LAVE-VERRES VERBINDUNGSST., ABLAUF CLEAN.3 DRAIN CONNECTION FOR DISHWASHERS SERIE EMPALME DESCARGA CLEAN. 3	
20	127136	MANICOTTO DURITE MUFFE SLEEVE MANGUITO	
21	499092	MEMBRANA VALVOLA SFIATO PS LA50 membrane de la soupape de purge BLENDE diaphragm valve vent válvula de ventilación membrana	
22	476008	SFERA.VALVOLA.LA50.HOST.D=5/16" SPHERE KUGELHAHN SPHERE ESFERA	
23	437083	GUARNIZIONE GOMMA D32D19.5S1.5 JOINT DICHTUNG, GUMMI D32D19.5S1.5 GASKET JUNTA	
24	468199	RACCORDO MASCHIO VALVOLA SF.E DVGW LA50 RACCORD ANSCHLUSSSTUECK LA50 PIPE FITTING RECOGIDA	
25	144992	GRUPPO VALVOLA SFIATO CLAPET ANTI-RETOUR LUFTLOCH-VENTIL DER ABFLUSSPUMPE NO RETURN VALVE VÁLVULA DE RETENCIÓN	
26	127158	MANICOTTO DURITE ROHR SLEEVE MANGUITO	
27	999365	GRUPPO POMPA SCARICO 180°220/240-60HZ KIT POMPE DE VIDANGE 220/240-60HZ KIT DER ABFLUSSPUMPE 220/240-60HZ DRAIN PUMP KIT 220/240-60HZ KIT BOMBA DESAGUE 220/240-60HZ	
28	127134	MANICOTTO ASPIRAZIONE POMPA tuyau d'aspiration MUFFE, ANSAUG suction pipe tubo de aspiración	

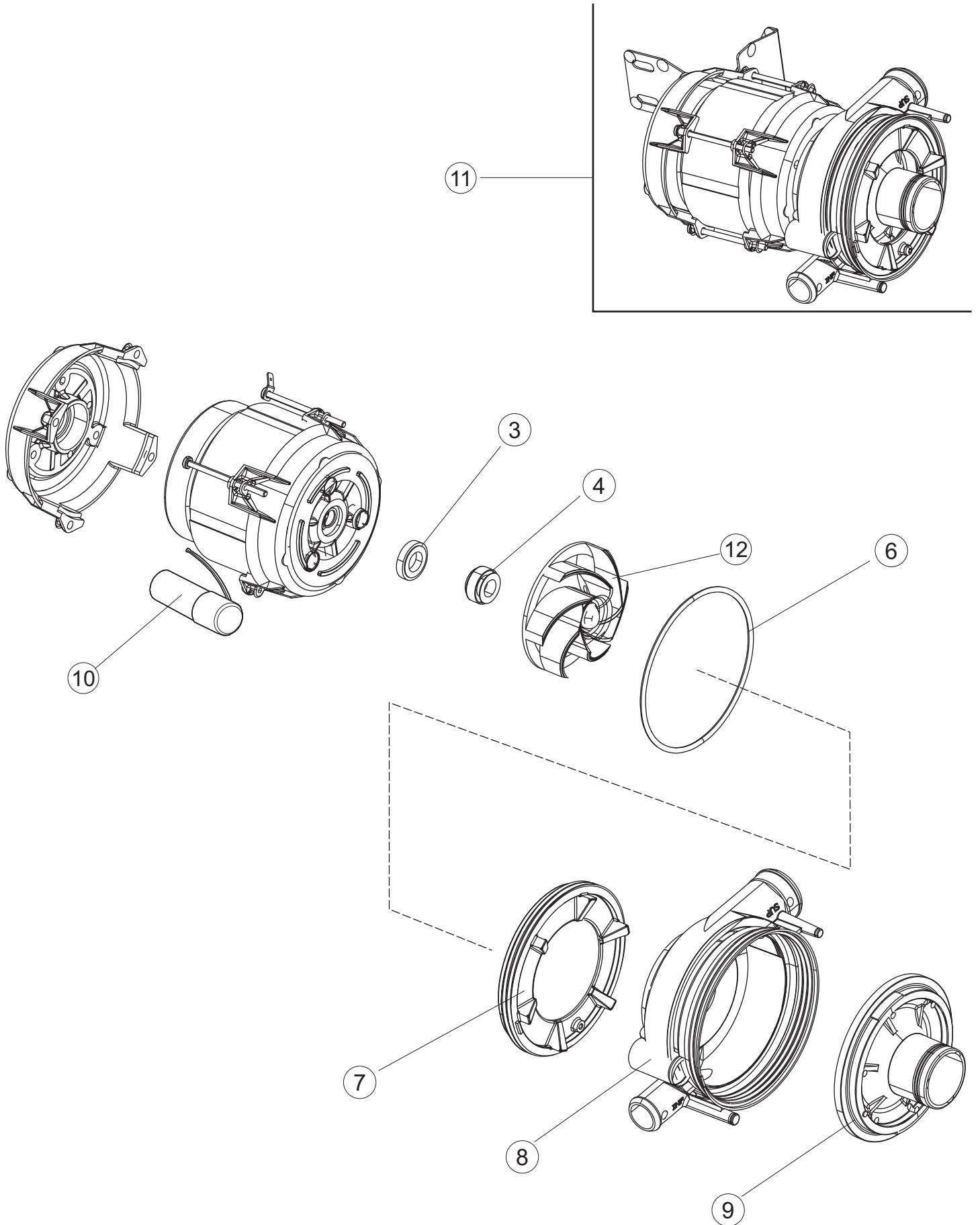
5



Listino componenti per pagina 5

1	429079	GHIERA DOUILLE RING RING NUT CONTERA VIROLA	
2	303040	ANELLO DI TENUTA LAVAGGIO BAGUE TEILERPLATTE RING ANILLO DE ESTANQ. LAVADO	
3	325130	PERNO PETTINE LAV/RISC.3V.CA. EB LA600 PIVOT ACHSE SPUEL-/NACHSPUELARM PIVOT PERNO	
4	990167	BRACCIO LAVAGGIO RISCIAQUO 3 RAMI CA. SUP.EB* BRAS DE LAVAGE ET RINCAGE SPULEN UND WASCH ARM RINSE AND WASH ARM BRAZO LAVADO Y ACLARADO	
5	437117 <i><u>Recommended spare parts</u></i>	RONDELLA IN TEFLON RONDELLE SCHEIBE WASHER arandela	
6	454006	GHIERA DOUILLE Rändelmutter für Kombi-Arm RING NUT CONTERA VIROLA	
7	990166	BRACCIO LAVAGGIO RISCIAQUO 3 RAMI CA. INF.EB* BRAS DE LAVAGE ET RINCAGE SPULEN UND WASCH ARM RINSE AND WASH ARM BRAZO LAVADO Y ACLARADO	
13	429073	GHIERA DOUILLE MUTTER RING NUT CONTERA VIROLA	
14	437102	GUARNIZIONE CONDOTTO INFER.LA50 JOINT DICHTUNG GASKET JUNTA	
15	69016	COLLETORE LAVAGGIO COLLECTEUR SAMMELLEITUNG MAINFOLD COLECTOR	
16	121171	FILTRO VASCA INOX INTEGRALE LA600 CPL. FILTRE FILTER STAINER FILTRO	
17	033496	TRAVERSO CENTRALE FILTRI LA600 EQUERRE CENTRALE FILTRES ZENTRALHALTERUNG FUER SIEBE CENTRAL CROSS ARM FOR SPRING HOOKING TRAVESAÑO CENTRAL FILTROS	

6



Listino componenti per pagina 6

3	141008	TENUTA MECC.FISSA POMPA(0146R) ETANCHEITE MECHANIQUE POUR MOTOPOMPE MECH. DICHTUNG FÜR WASCHPUMPE DER GLÄSERSPÜLER WASHPUMP SHAFT SEAL SELLO MECANICO PARA ELECTROBOMBA	
4	141009	TENUTA MECC.ROTANTE POMPA(0142R) ETANCHEITE MECHANIQUE POUR MOTOPOMPE MECH. DICHTUNG FÜR WASCHPUMPE DER GLÄSERSPÜLER WASHPUMP SHAFT SEAL SELLO MECANICO PARA ELECTROBOMBA	
6	456078	O-RING O-RING TORISCHE DICHTUNG O-RING O-RING	
7	429074	GHIERA DOUILLE RING RING NUT CONTERA VIROLA	
8	73052	CHIOCCIOLA ELETTROPOMPA couvercle de la turbine KÖRPER SCHNECKENPUMPE ELECTROPUMP HOUSING ESPIRAL PARA ELECTROBOMBA	
9	73051	TAPPO POMPA LAVAGGIO (3235) BOUCHON PUMPENDECKEL PLUG TAPON	
10	73055 <i><u>Recommended spare parts</u></i>	CONDENSATORE CONDENSEUR KONDENSATOR 14MF CAPACITOR CONDENSADOR	
11	130967	GRUPPO POMPA(130209)LA600 60HZ GROUPE CORPS LAVAGE+POMPE (130209)LA600 60HZ WASHPUMPE-KOERPER+ PUMPE (130209)LA600 60HZ WASH-BODY UNIT AND PUMP (130209)LA600 60HZ GRUPO CUERPO LAVADO+BOMBA (130209)LA600 60HZ	
12	73076HZ	GIRANTE ELETTROPOMPA 73048HZ (3337) IMPULSEUR MOTOPOMPE 73048HZ (3337) FLUEGELRAD FUER MOTORPUMPE 73048HZ (3337) ELECTROPUMP IMPELLER 73048HZ (3337) ROTOR PARA ELECTROBOMBA 73048HZ (3337)	

RECOMMENDED SPARE PARTS

PAG 1	POS 18	COD 480153	TAPPO BOUCHON VERSCHLUSS AUS GUMMI D.12 PLUG TAPON
PAG 2	POS 1	COD 224031	PRESSOSTATO DIGITALE 560-AC-002 PRESSOSTAT DRUCKWAECHTER PRESSURE SWITCH PRESOSTATO
PAG 2	POS 4	COD 143235	TUBO 4x7 SILICONE TRASPARENTE CRP TUYAU SCHLAUCH 4X7 SILIKON DURCHS. CRP PIPE MANGUITO
PAG 2	POS 8	COD 74169	RESISTENZA 2100W 230V RESISTANCE 2100W 230V HEIZELEMENT 2100W 230V HEATING ELEMENT 2100W 230V RESISTENCIA 2100W 230V
PAG 2	POS 10	COD 236047	TERMOSTATO 95°C THERMOSTAT CUVE SECURITE 95°C SICHERHEITSTHERMOSTAT SAFETY TANK THERMOSTAT 95°C TERM.CONTACTO CUBETA/S.95°+/-3° SIC.
PAG 2	POS 11	COD 236061	TERMOSTATO SIC. 127° THERMOSTAT 127° THERMOSTAT 127° THERMOSTAT 127° TERMOSTATO CALENT. 127°
PAG 2	POS 13	COD 230111	RESIST.B.4900W/230-400V RESISTANCE HEIZUNG,B.4900W/230-400V HEATING ELEMENT RESISTENCIA
PAG 2	POS 17	COD 231016	SONDA TEMPERATURA SONDE TEMPERATURSONDE TEMPERATURE PROBE SONDA TEMPERATURA (AMPOLLA ACERO)
PAG 2	POS 18	COD 80871	MICRO MAGNETICO CONTACTE MAGNETIQUE TUERKONTAKTSCHALTER MAGNETIC DOOR SWITCH CONTACTO MAGNETICO
PAG 2	POS 21	COD 143194	TUBO 4x6 CRISTAL TRASPARENTE TUYAU SCHLAUCH 4X6 CRISTAL, DURCHS. PIPE MANGUITO
PAG 2	POS 22	COD 143258	TUBO "SANTOPRENE" CON RACCORDO TUYAU "SANTOPRENE" MEMBRANSCHLAUCH SANTOPREN "SANTOPRENE" PIPE TUBITO SANTOPRENE
PAG 2	POS 23	COD 209043	DOSAT.PERIST.DETERGENTE P/F MD DOSEUR PÉRISTALTIQUE PERISTALTISCHES DOSIERGERAET DETERGENT DOSING PUMP DOSIFICADOR DETERG.
PAG 2	POS 25	COD 984007	GRUPPO CAMPANA PRESSOSTATO Groupe de contrôle du niveau d'eau LUFTFALLE - KOMPLETT WATER LEVEL CONTROL grupo de control el nivel de agua
PAG 2	POS 31	COD 211013	CAVO FLAT GET50 LA50(2,30MT) CABLE FLACHKABEL FLAT WIRE CABLE FLAT GET50 LA50
PAG 2	POS 32	COD 80945	PULSANTIERA LED BDG TERZ. TABLEAU DE PUSOIR TASTASTUR PUSH BUTTONS ASSEMBLY botonera
PAG 2	POS 33	COD 417119	DADO ECROU SCHRAUBENMUTTER, M3 KUNST. WEISS NUT TUERCA

RECOMMENDED SPARE PARTS

PAG 2	POS 34	COD 419036	DISTANZIALI SCHEDA ENTRETOISE X CARTE ELECTRONIQUE ABSTANDSSTÜCK, M3 INTERFACE BOARD DISTANCE KEEPERS DISTANCIADOR M3
PAG 2	POS 35	COD 215042-1	SCHEDA ELETTRONICA GET50.2 CARTE ELECTRONIQUE GET50.2 KARTE ELEKTRONIK GET50.2 MAIN BOARD GET50.2 TARJETA ELECTRÓNICA GET50.2
PAG 2	POS 36	COD 228010	FUSIBILE 5X20 T4A RITARDATO 250V FUSIBLE SICHERUNG 5X20 T4A FUSE FISIBLE
PAG 2	POS 39	COD 229042	CONTATTORE QUADRIPOLORE 230V GMC-9M/4 50/60HZ CONTACTEUR 230V GMC-9M/4 50/60HZ KONTAKT-GEBER 230V GMC-9M/4 50/60HZ CONTACTOR 230V GMC-9M/4 50/60HZ CONTACTOR 230V GMC-9M/4 50/60HZ
PAG 2	POS 40	COD 461028	PIEDINO PLAST.SCHEDA 5309AA00XS ped support de carte électronique Stützfessß elektronische Karte foot board support sujección pie tarjeta electrónica
PAG 2	POS 58	COD 236052	TERMOSTATO 90°+/-3°C THERMOSTAT 90°+/-3°C THERM.,KONT. L.90ø+/-3ø(2611576) THERMOSTAT 90°+/-3°C TERM.CONTACTO CALENT./L.90°+/-3°
PAG 3	POS 2	COD 144030	GRUPPO VALVOLA NON RITORNO CLAPET ANTI-RETOUR AIR GAP BEHAELTER - NICHT KOMPLETT NO RETURN VALVE VÁLVULA DE RETENCIÓN
PAG 3	POS 5	COD 240011	VALVOLA DI CARICO 1VIA vanne de remplissage ZUFLUSSVENTIL 1-WEG FILL VALVE válvula de llenado
PAG 3	POS 7	COD 136030	CORPO ASPIRAZIONE SCARICO CORPS D'ASPIRATION/VIDANGE EINLASSUNG/ABLASSUNG GEHÄUSE ASPIRATION AND DRAIN BODY CUERPO ASPIRACION/DESCARGA
PAG 3	POS 20	COD 209042	DOSAT.PERIST.BRILLANTANTE+NR P/F MD DOSEUR PÉRISTALTIQUE PERISTALTISCHES DOSIERGERAET DOSING PUMP DOSIFICADOR
PAG 3	POS 21	COD 143261	TUBO SILICONE TUBE MEMBRANSCHLAUCH HOSE TUBITO
PAG 3	POS 22	COD 143005	TUBO IN GOMMA TELATA 5X12 NERO TUYAU EN CAOUTCHOUC LIN 5X12 NOIR SCHLAUCH TP 5X11 (CASER/15/NL C4N) LINEN RUBBER PIPE 5X12 - BLACK TUBO PRES. TP 5x11 (CASER/15/NL C4N)
PAG 3	POS 23	COD H.775601	TUBO 4x6 CRISTAL BLUE PVC TUYAU SCHLAUCH 4x6 CRISTAL BLAU PVC PIPE MANGUITO
PAG 3	POS 27	COD 437080	GUARNIZIONE JOINT DICHTUNG, VERBINDUNGSST., OB.SPÜL.E.40 GASKET JUNTA
PAG 3	POS 31	COD 429072	GHIERA DOUILLE ZWINGE RING NUT CONTERA VIROLA
PAG 5	POS 5	COD 437117	RONDELLA IN TEFLON RONDELLE SCHEIBE WASHER arandela

RECOMMENDED SPARE PARTS

PAG	POS	COD	
6	10	73055	CONDENSATORE CONDENSEUR KONDENSATOR 14MF CAPACITOR CONDENSADOR